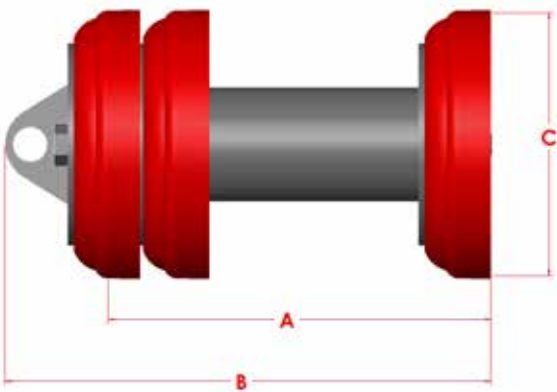


SCRAPER CUP

UC3

2-14" (51-356mm)

The basic three cup series UC pigs are designed for batching of dissimilar fluids and are typically used for longer distance applications. The UC series is available in three versions. The three cup design of this pig provides a positive seal between fluid interfaces and is widely used for light cleaning of pipelines or batching/separation operations.



Size	A	B	C	Weight	Part #
3"	5.500	7.000	3.375	2	70380303
4"	6.625	8.375	4.375	4	70380304
6"	9.875	13.750	6.375	15	70380306
8"	11.375	15.250	8.500	26	70380308
10"	15.250	19.500	10.625	47	70380310
12"	18.250	22.750	12.500	64	70380312
14"	21.250	25.875	13.875	75	70380314

Features:

The large wear surface of the cup promotes longer life while the product pressure keeps the cutting edge firm against the pipe wall. Cups can be changed or adapted to different configurations as the application dictates.

Options:

- Gauging plates of aluminum or steel, and either in slotted or standard styles are available.
- Magnets are available.